



# DARRAH's

## Three-Phase Air Cooled Power Assemblies AC Controller, Diode & Thyristor Bridges, 4 Quadrant Bridges

Darrah manufactures a complete range of isolated module heat sink assemblies designed to integrate into your new or existing power systems. Available as AC Controllers, Diode and Thyristor Bridges. Darrah assemblies mount easily within your cabinet and integrate with various control systems.

### Main Features

- "Ready to use" designs resulting in reduced time to market.
- Compact Designs enable users to mount in existing, standard industrial cabinets.
- Flexible design approach covers multiple Power Levels.
- Various Voltage levels available.
- Modular approach allows for ease of paralleling for higher power requirements.
- 6 Pulse & 4 Quadrant Re-Gen Bridges



**MTB35518F1**  
**Three Phase Fully Controlled  
Thyristor Bridge Rectifier**  
**Frame Size 1**

### Typical Applications

- New or Retrofit Markets
- Industrial Drives
- Conveyors
- Traction, Trackage, Auxiliary, and Main Rectifiers
- Mining
- Steel Mills
- Excitation
- Hoist & Cranes
- Heating Control



**MTB39018F1-4Q**  
**4 Quadrant Re-Gen Rectifier**  
**Frame Size 2**

To accommodate non-standard requirements, we offer complete custom designs from the ground up or minor modifications to already proven designs.



**MTB36018F1-4Q**  
**4 Quadrant Re-Gen Rectifier**  
**Frame Size 1**

## STANDARD PRODUCT OFFERING

Three-Phase AC Controllers					
Part Number	Continuous Current Rating	AC Voltage Rating*	Ambient Temp.	Frame Size	Current
MTA34018F1	400A	480V	40°C	Size 1	
MTA36018F1	600A	480V	40°C	Size 2	

Three-Phase Uncontrolled Diode Bridge Rectifiers					
Part Number	Continuous Current Rating	AC Voltage Rating*	Ambient Temp.	Frame Size	Current
MRB36018F1	600A	480V	40°C	Size 1	
MRB311018F1	1100A	480V	40°C	Size 2	

Three-Phase Fully Controlled Thyristor Bridge Rectifier					
Part Number	Continuous Current Rating	AC Voltage Rating*	Ambient Temp.	Frame Size	Current
MTB35518F1	550A	480V	40°C	Size 1	
MTB36518F1	650A	480V	40°C	Size 2	
MTB38018F1	800A	480V	40°C	Size 2	

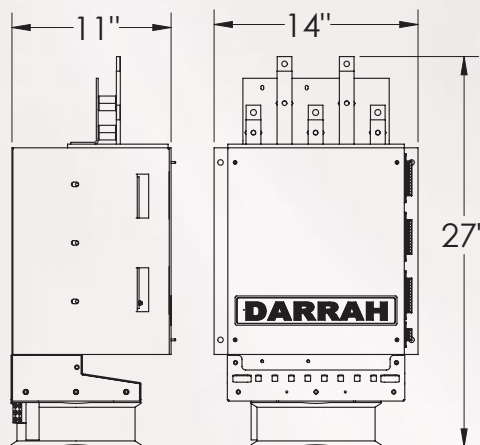
4 Quadrant Re-Gen Bridges					
Part Number	Continuous Current Rating	AC Voltage Rating*	Ambient Temp.	Frame Size	Current
MTB36018F1-4Q	600A	480V	40°C	Size 1	
MTB37018F1-4Q	700A	480V	40°C	Size 2	
MTB39018F1-4Q	900A	480V	40°C	Size 2	

\*Call factory for higher voltage ratings.

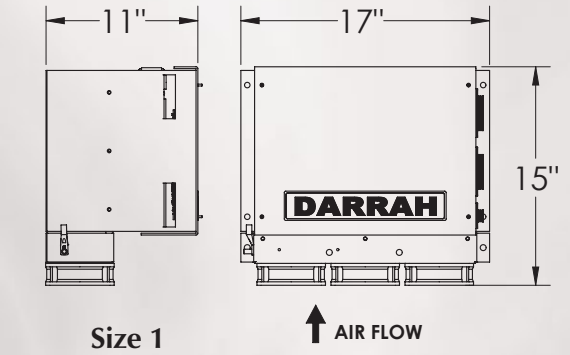
R/C Snubbers and Thermostats included in all SCR Designs.

Feature Codes
Add suffix to add feature
F1 - 115V Fan (Standard)
F2 - 230V Fan
F3 - 24VDC Fan
FB - Firing Board
FU - Line Fuses
DF - DC Fuse
DL - Lem (Current or Voltage)
4Q - Reversing (Four Quadrant)

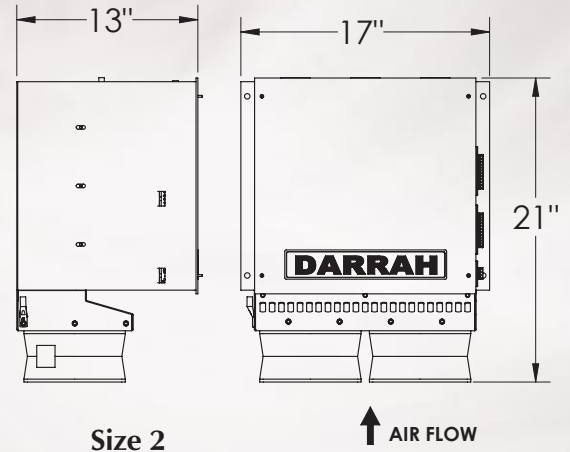
To shorten your time-to-market, Darrah Electric provides a number of "ready to use" designs that are proven in many applications & Industries offering the highest reliability for your requirement.



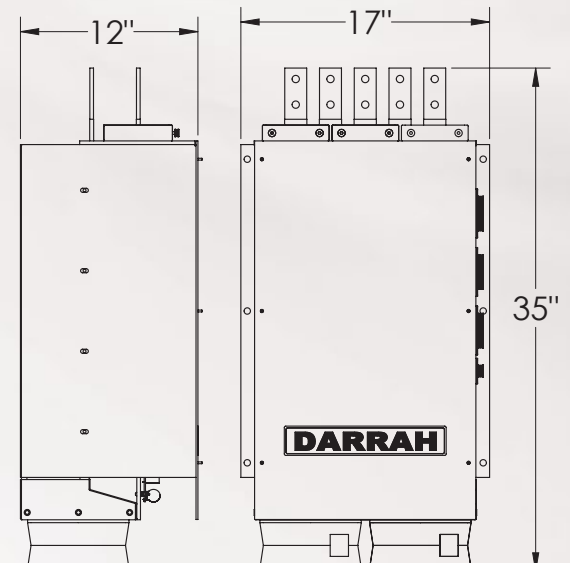
4 Quadrant Bridges - Size 1



Size 1



Size 2



4 Quadrant Bridges - Size 2



# DARRAH ELECTRIC COMPANY

5914 MERRILL AVENUE • CLEVELAND, OHIO 44102

Toll Free 800-621-0014 Cleveland 216-631-0912 Fax 216-631-0440 E-mail sales@darrahelectric.com

www.darrahelectric.com



©2016 Darrah Electric Company

Discover, Visa, MasterCard and American Express Accepted

